

# SEAFLO®

## Alarm Control System

### Instruction Manual



**SFVAS1-20-03**  
**SFVAS2-10-03**

#### STANDARD CONFIGURATIONS

Model Number	Voltage	Current	Alarm volume	N.W.	Wire Gauge Size /length
SFVAS1-20-03	12V DC	20 Amps. Max	≥85DB	0.2KG	16AWG/1000mm (Bilge Switch)
SFVAS2-10-03	24V DC	10 Amps. Max	≥85DB	0.2KG	16AWG/100mm (Alarm Switch)

#### INSTALLATION

##### Location

1. Mount the switch vertically as shown in fig. 1 (wires located uppermost). Locate the switch as close to the pump as possible to ensure the same water level.
2. Prepare a mounting block. Do not fasten switch directly to the hull. Mounting block should be minimum 10mm(3/8") thick marine plywood epoxied to the hull.
3. Switch base may be located up to 6mm (1/4") higher, but NEVER located lower than base of the pump.

##### Mounting

1. Use switch base (Fig. 1) or mounting ears (Fig. 2) as a template to mark pilot holes in mounting block.
2. Set drill depth gauge to avoid drilling through hull. Drill two 3mm (1/8") diameter pilot holes.
3. Fasten switch onto mounting block with #8 x 1/2"(3.5mm diameter x 13mm) stainless steel screws (not supplied).

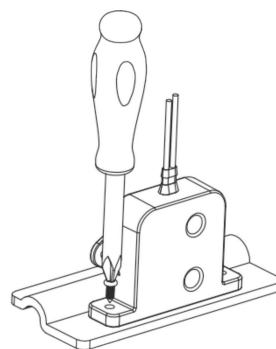


Fig 1 Using Switch Base

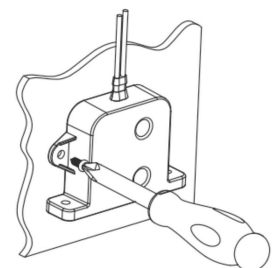


Fig 2 Using Mounting Ears

## Testing

1. After installation, press and hold your finger in the two recessed places for 3 seconds.

- If wiring is correct, pump activates.
- Remove top finger, pump stays on.
- Remove bottom finger, pump should turn off after a short delay.

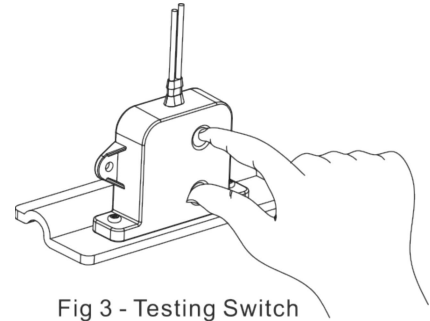
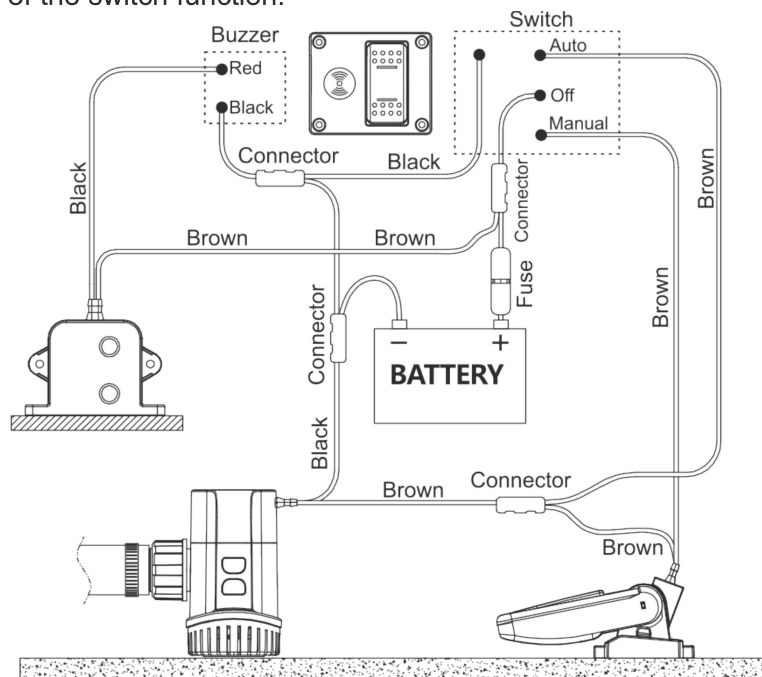


Fig 3 - Testing Switch

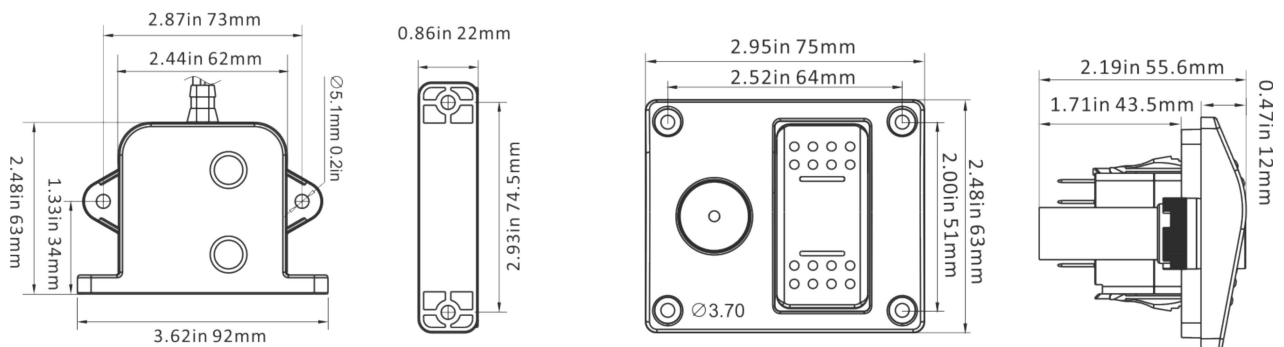
2. Test with water in bilge to confirm that pump turns on and off properly. If not, reposition the switch to allow for activation.

3. Regularly touch the two sensing points with your finger to check whether the function is valid.

4. When there is dirt residue on the sensing point after long-term use, please clean it up in time to avoid the failure of the switch function.



## DIMENSION DRAWING



## WARNING

1. Keep all wire connections above water level. Wires must be joined with butt connectors and a marine grade sealant to prevent wire corrosion.
2. Install red wires to positive terminal only and black to negative terminal only.
3. Disconnect power from the system before working on the unit to avoid personal injury, damage to the surrounding environment and/or damage to the unit.
4. Max working draw: 20A at 12V, 10A at 24V.